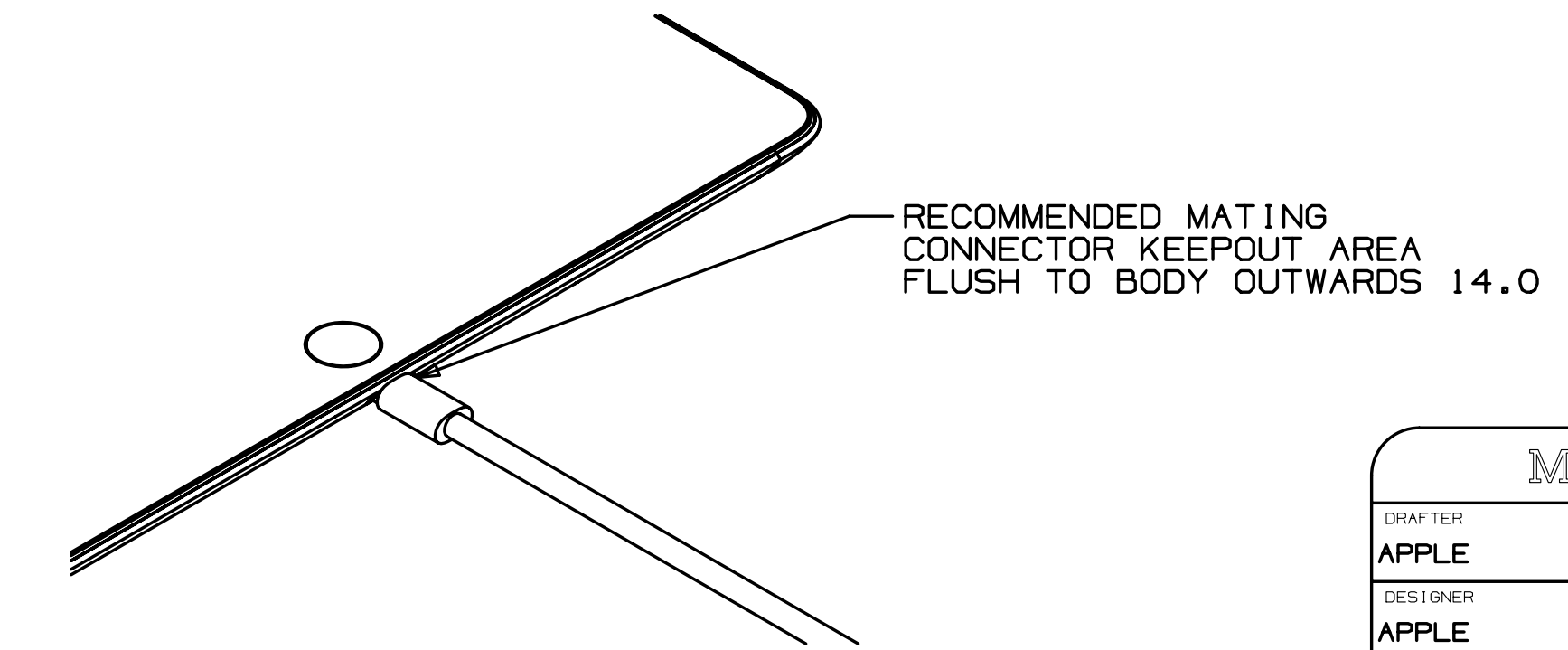
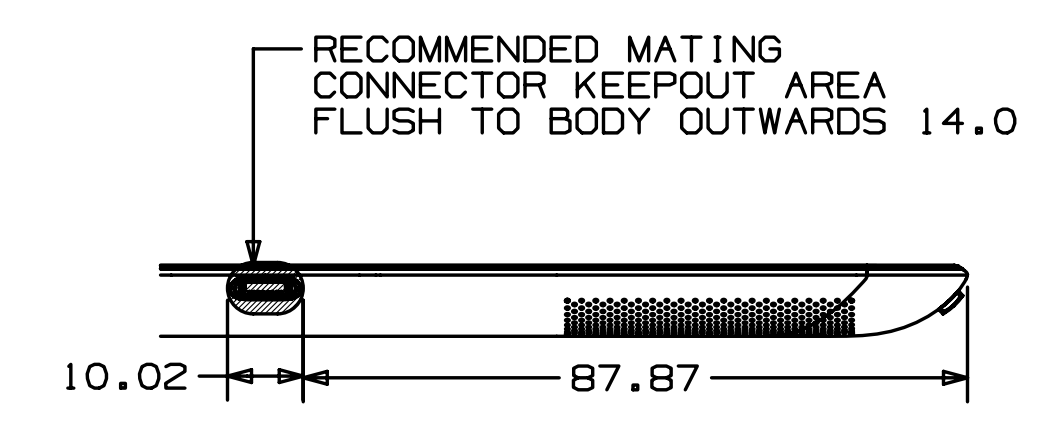
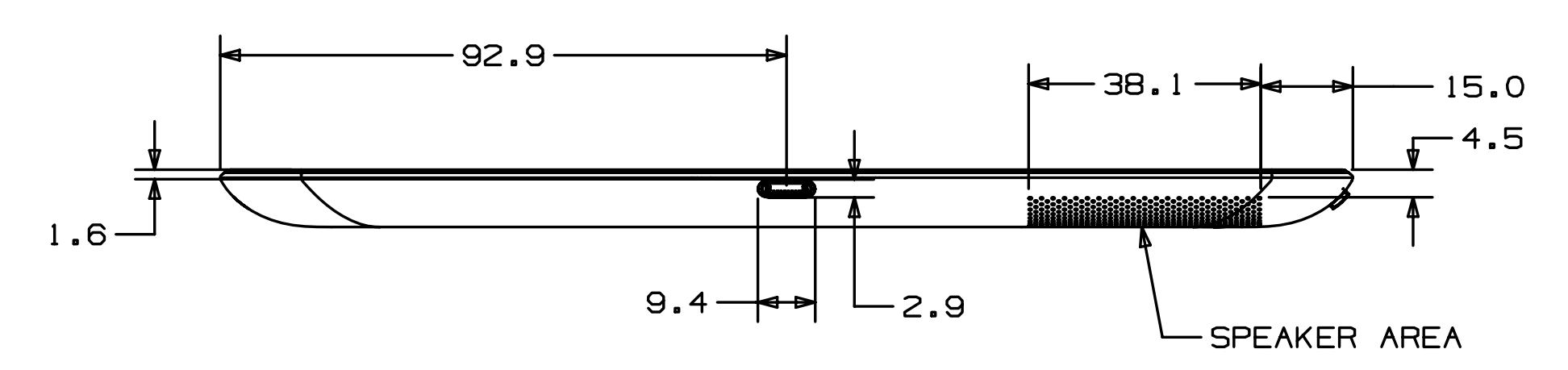
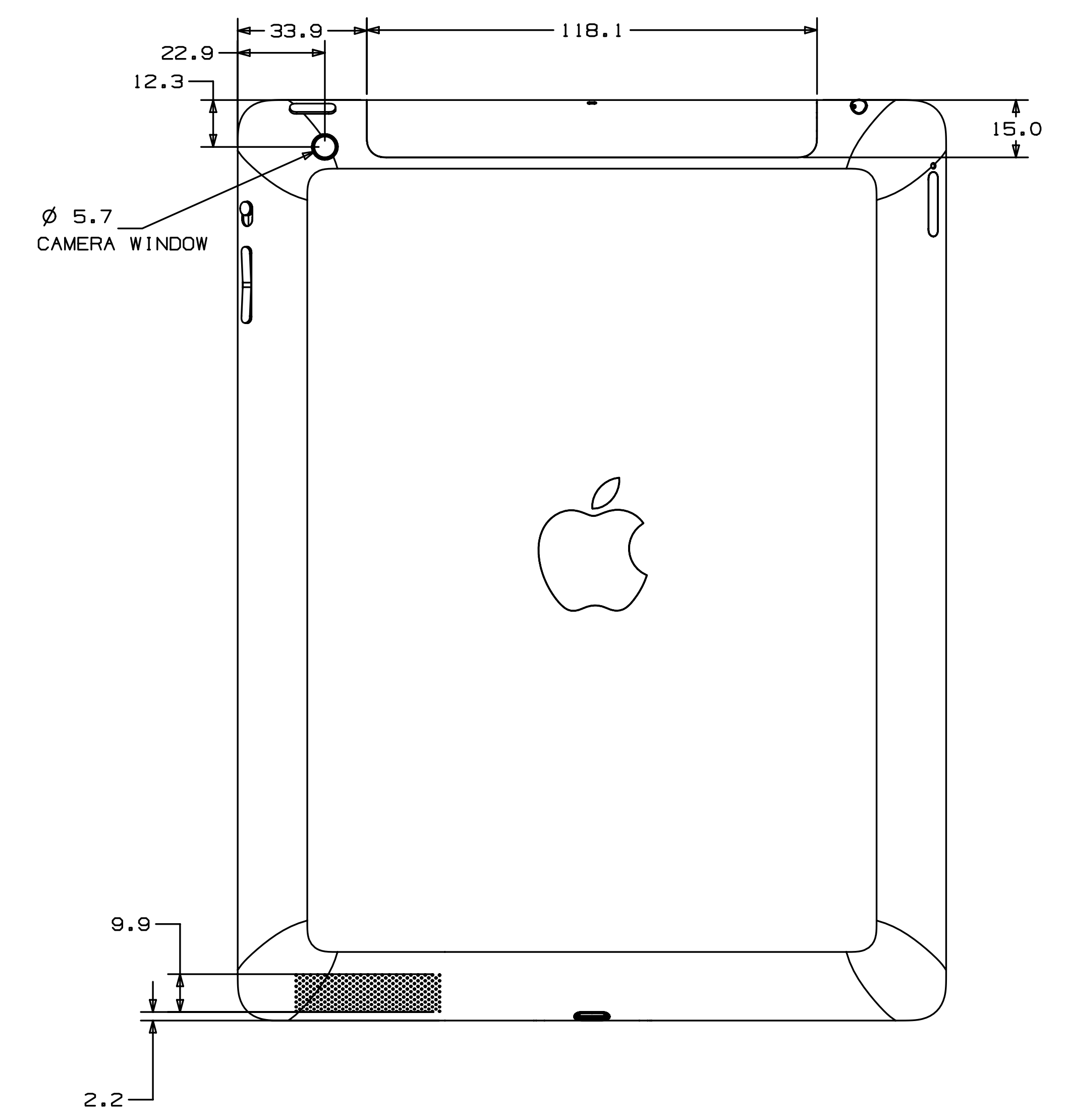
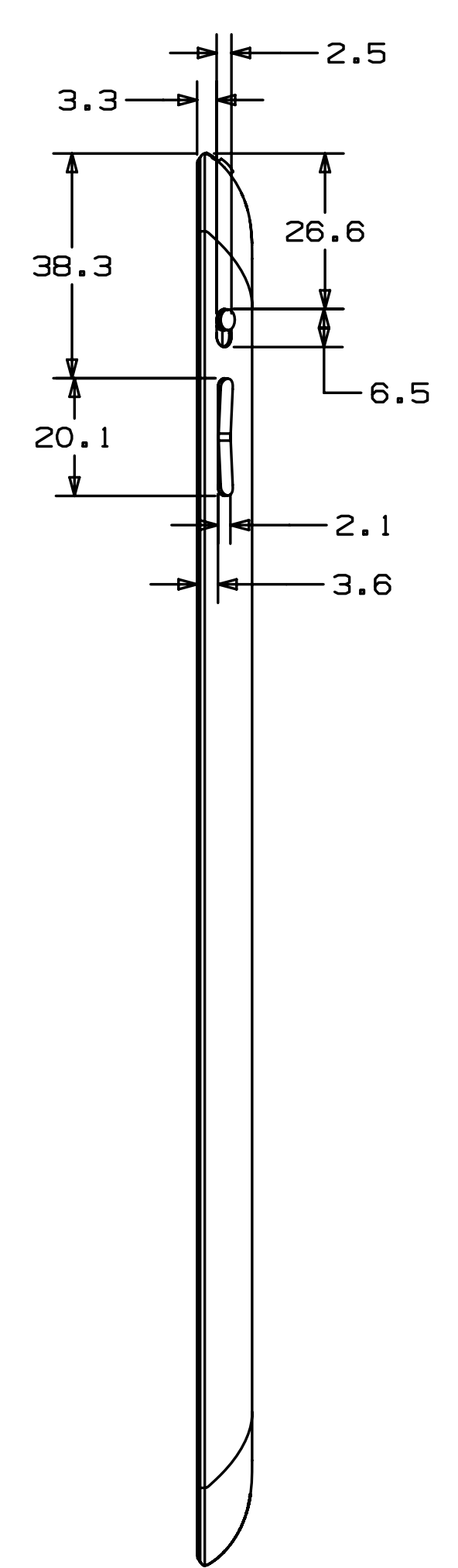
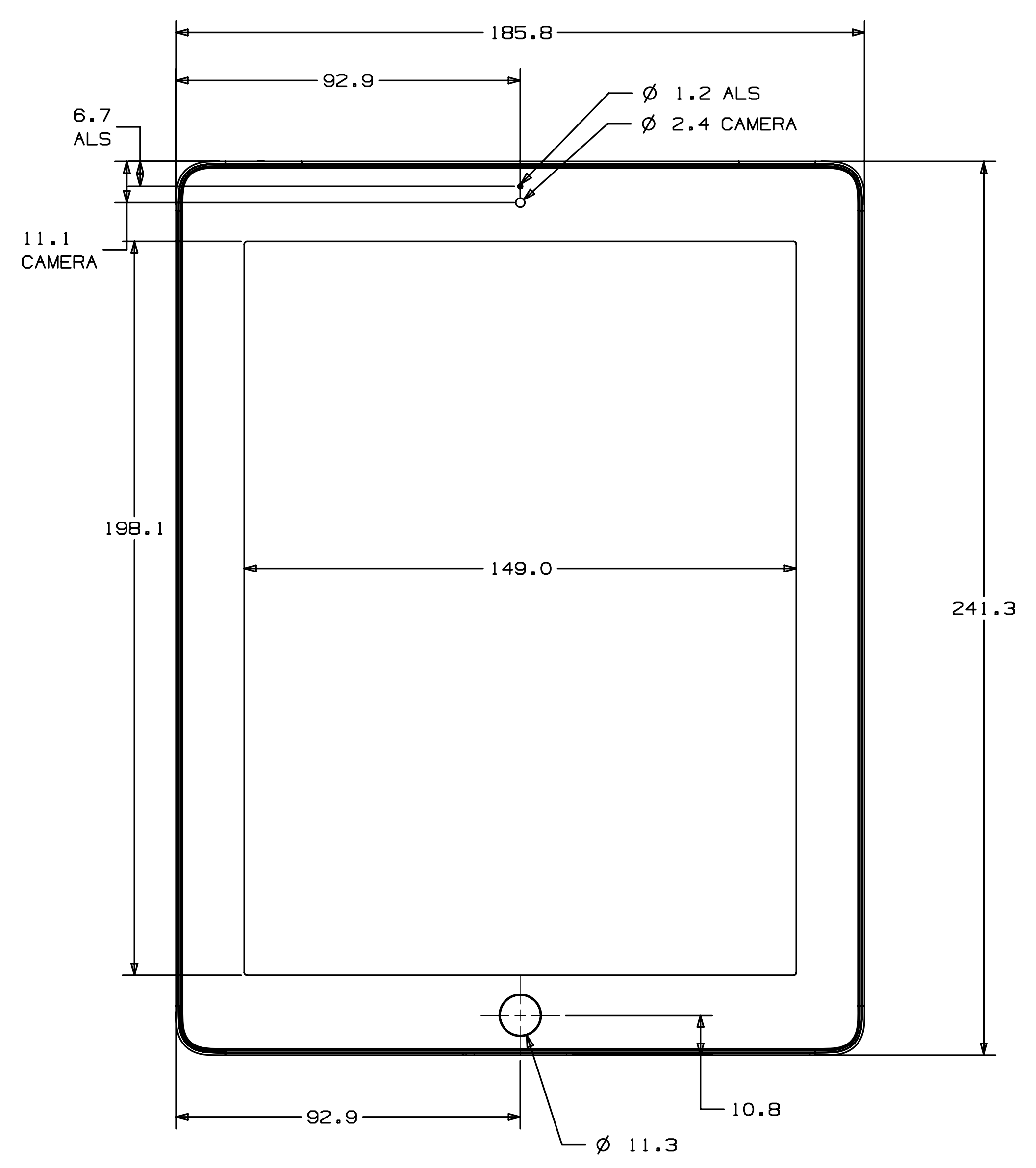
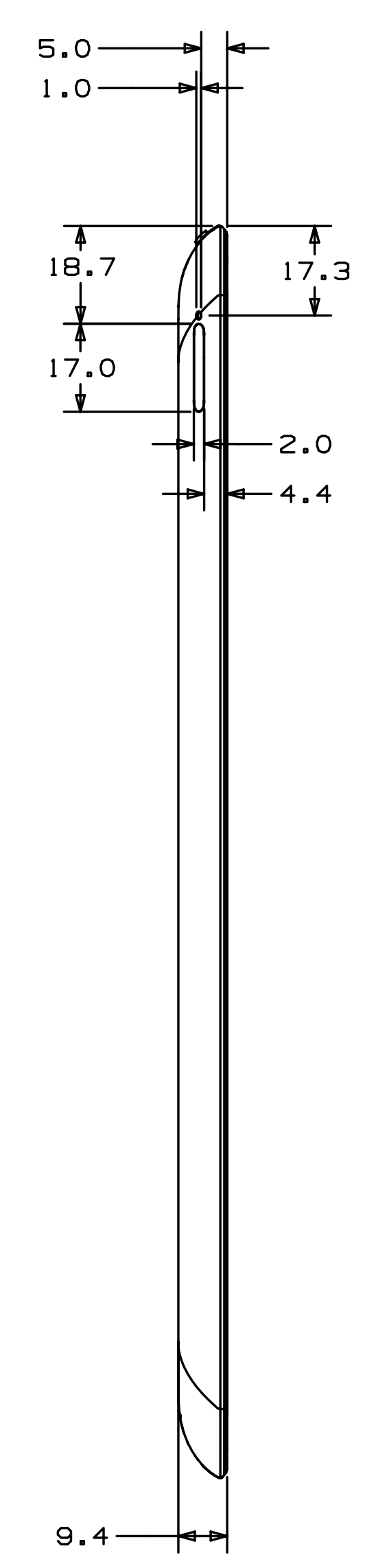
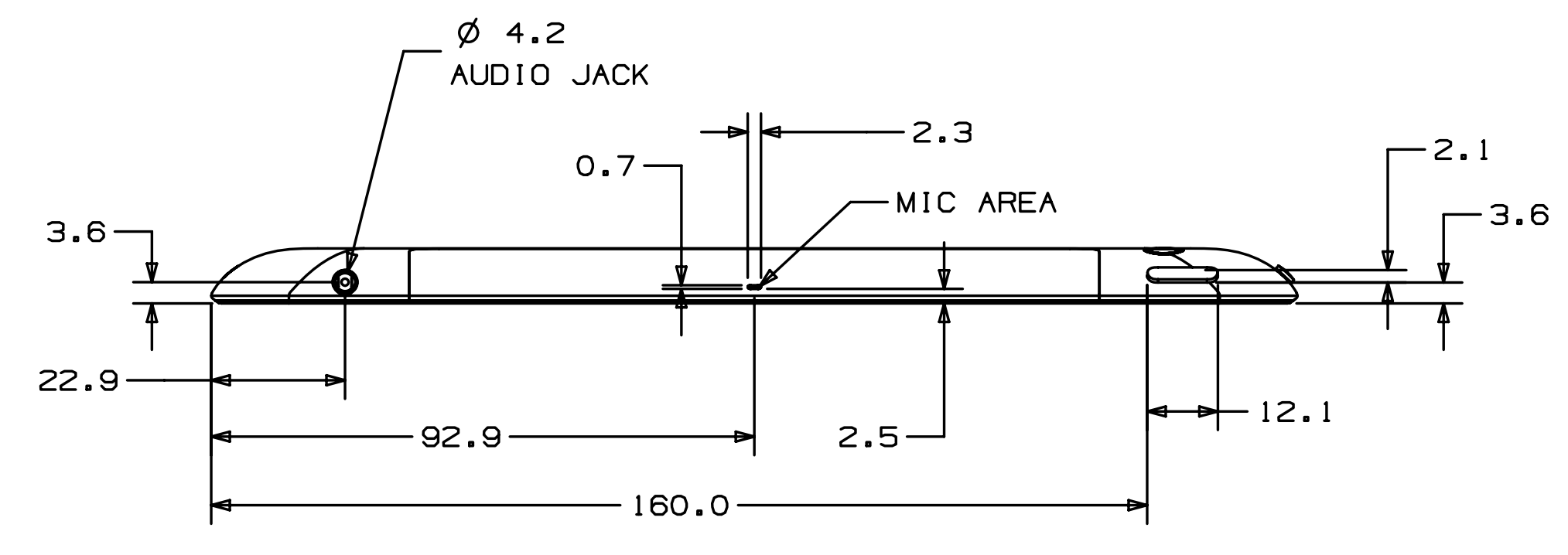
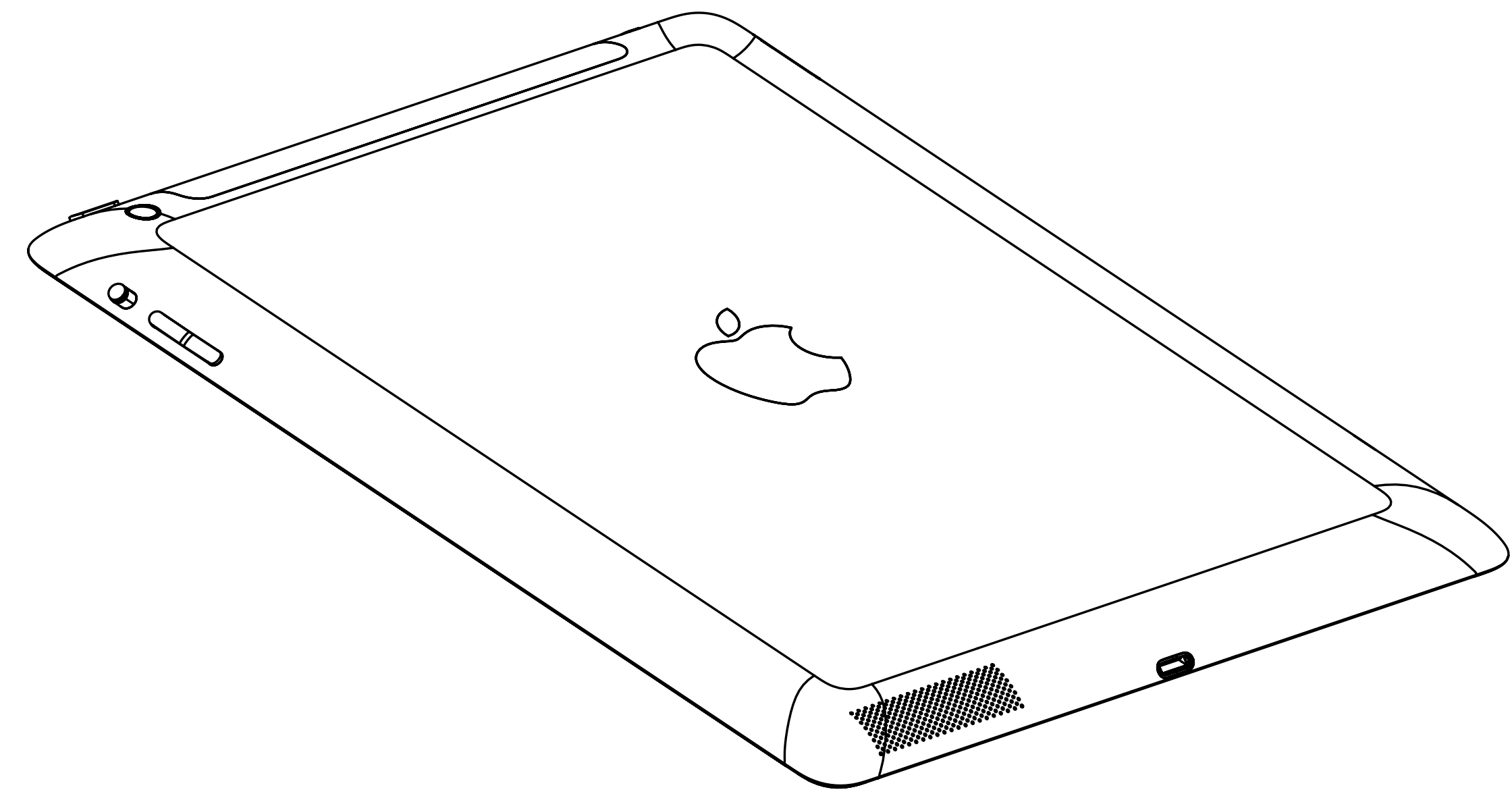
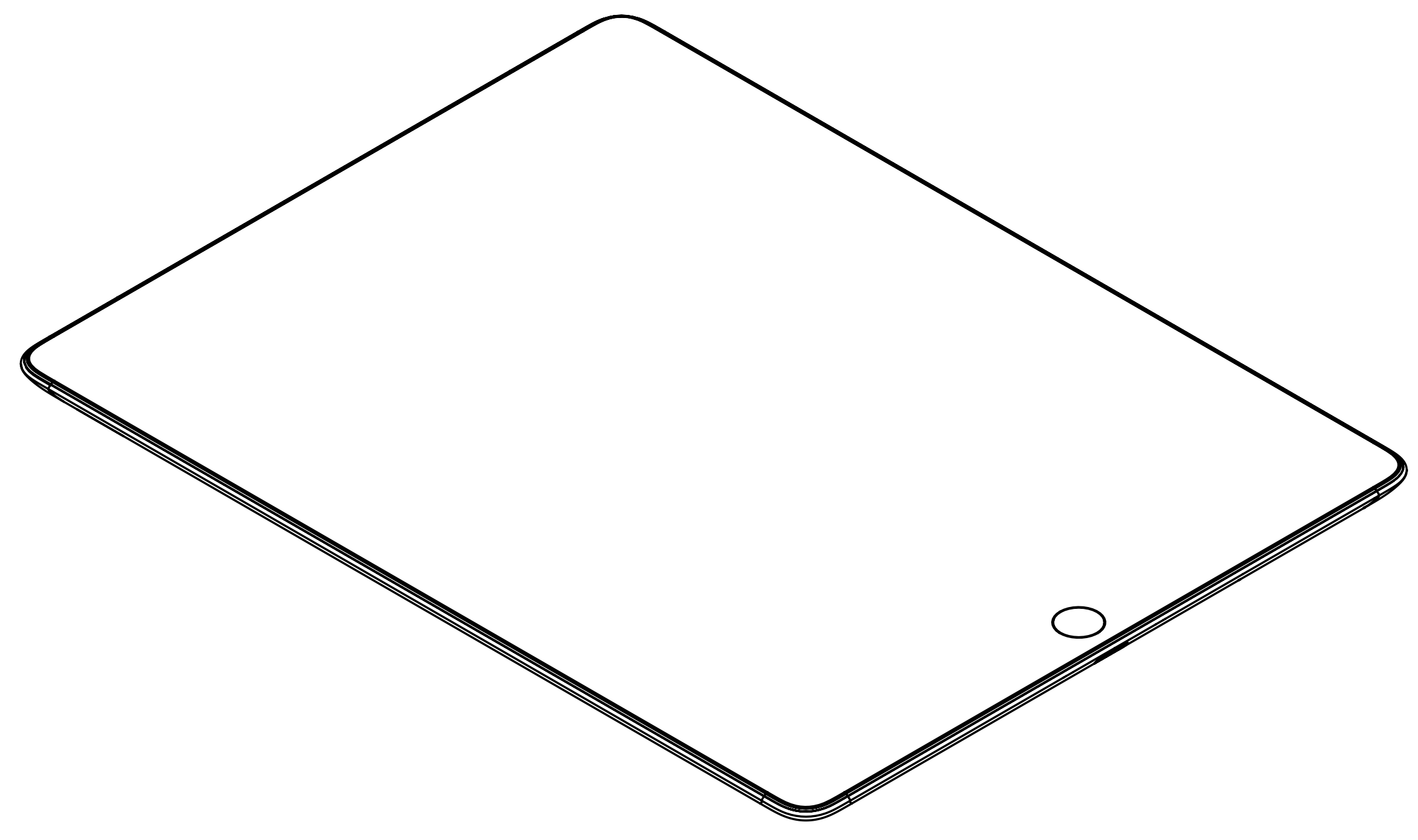


NOTES: (UNLESS OTHERWISE SPECIFIED)

REV	ECO#	DESCRIPTION OF REVISION
-----	------	-------------------------



<b>METRIC</b>			
DRAFTER <b>APPLE</b>	DATE	NOTICE OF PROPRIETARY PROPERTY THE INFORMATION CONTAINED HEREIN IS THE PROPRIETARY PROPERTY OF APPLE INC. THE POSSESSOR AGREES TO THE FOLLOWING:	
DESIGNER <b>APPLE</b>	DATE	(1) TO MAINTAIN THIS DOCUMENT IN CONFIDENCE (2) NOT TO REPRODUCE OR COPY (3) NOT TO RENTAL OR RESELL IT IN WHOLE OR PART (4) ALL RIGHTS RESERVED	
DIMENSIONS ARE IN MILLIMETERS TOLERANCES X.X $\pm 0.2$ X.XX $\pm 0.10$ X.XXX $\pm 0.050$ ANGLES $\pm 0.5^\circ$ DO NOT SCALE DRAWINGS		TITLE <b>IPAD WI-FI + CELLULAR (4TH GENERATION)</b>	
THIRD ANGLE PROJECTION		SCALE <b>NONE</b>	REV. 01 DWTG NUMBER SH 1 OF 1